

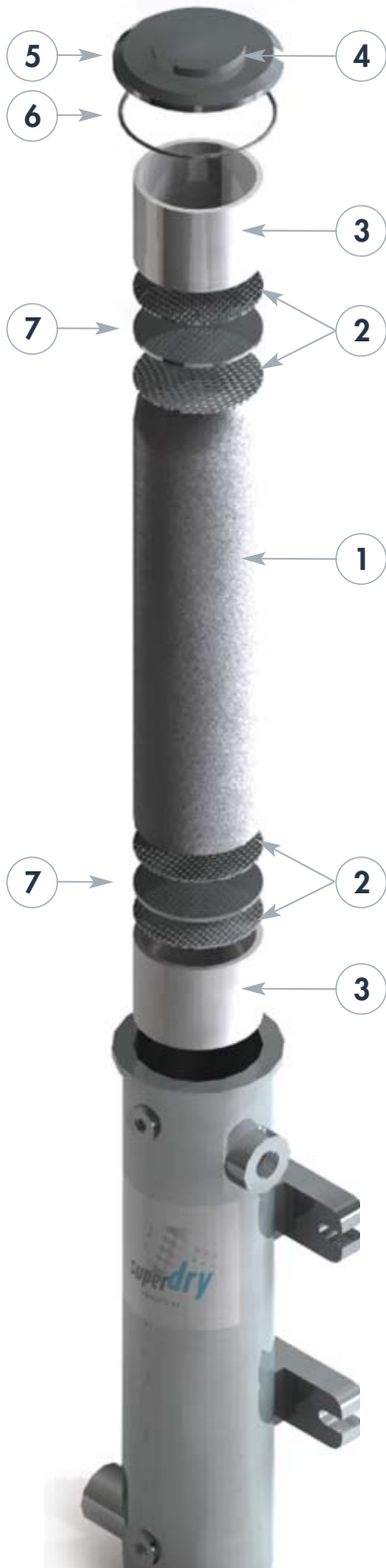


D Series | Compressed Air Dryers |



PARTS BREAKDOWN

Models: D-1 | D-2 | D-3 | D-4

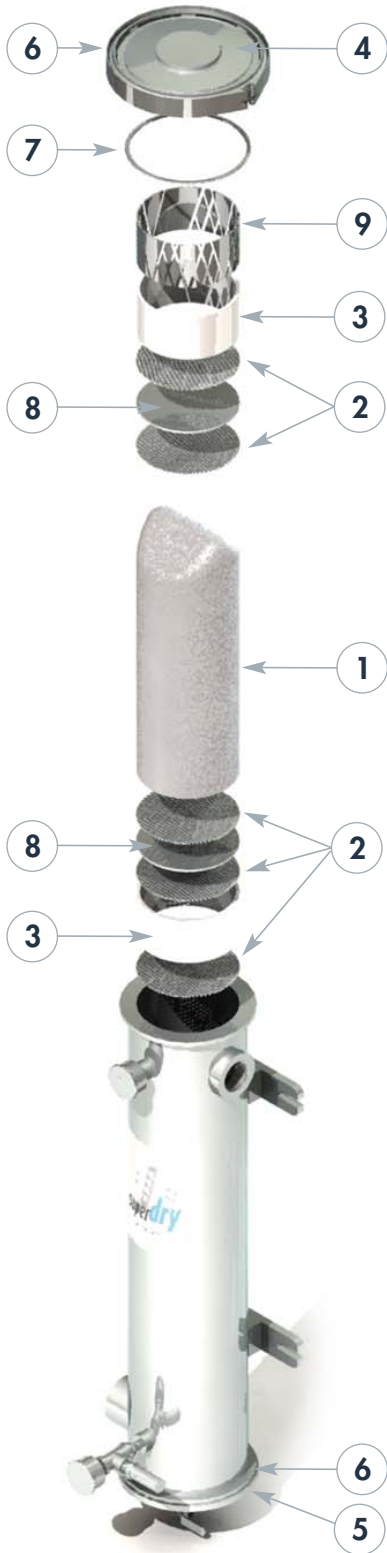


Model: **D-1**
Part #: **280.110**

Item	Part #	Description	Qty
1	280.301	BD1 – DESSICANT BAG	1
2	280.305	SCD1 – STAINLESS STEEL GRIDS	4
3	280.310	COD1 – COALESCER ELEMENT	2
4	280.405	CVD1 – TOP COVER	1
5	280.420	CLD1 – STAINLESS STEEL CLAMP	1
6	280.423	ORD1 – O’RING FOR D1	1
7	280.430	FELTD1 – FELT PAD	2

Model: **D-2**
Part #: **280.120**

Item	Part #	Description	Qty
1	280.302	BD2 – DESSICANT BAG	1
2	280.306	SCD2-3 – STAINLESS STEEL GRIDS	4
3	280.311	COD2-3 – COALESCER ELEMENT	2
4	280.406	CVD2-3 – TOP COVER	1
5	280.421	CLD2-3 – STAINLESS STEEL CLAMP	1
6	280.424	ORD2-3 – O’RING FOR D2-D3	1
7	280.431	FELTD2-3 – FELT PAD	2



Model: **D-3**
Part #: 280.130

Item	Part #	Description	Qty
1	280.303	BD3 – DESSICANT BAG	1
2	280.306	SCD2-3 – STAINLESS STEEL GRIDS	5
3	280.311	COD2-3 – COALESCER ELEMENT	2
4	280.406	CVD2-3 – TOP COVER	1
5	280.407	CVD2-3P – BOTTOM COVER ¼ NPT HOLE	1
6	280.421	CLD2-3 – STAINLESS STEEL CLAMP	2
7	280.424	ORD2-3 – O’RING FOR D2-D3	2
8	280.431	FELTD2-3 – FELT PAD	2
9	280.600	OSD3 – OUTLET SCREEN	1

Model: **D-4**
Part #: 280.140

Item	Part #	Description	Qty
1	280.304	BD4 – DESSICANT BAG	1
2	280.307	SCD4 – STAINLESS STEEL GRIDS	5
3	280.312	COD4 – COALESCER ELEMENT	2
4	280.408	CVD4 – TOP COVER	1
5	280.409	CVD4P – BOTTOM COVER ¼ NPT HOLE	1
6	280.422	CLD4 – STAINLESS STEEL CLAMP	2
7	280.425	ORD4 – O’RING FOR D4	2
8	280.432	FELTD4 – FELT PAD	2
9	280.601	OSD4 – OUTLET SCREEN	1



Model: **GSTD**

Part #: **280.135**

Accessories for **D-1** | **D-2** | **D-3**

Part #	Description	Qty
220.110	PRESSURE GAUGES	2
170.310	STREET T	1
130.111	SAFETY VALVE ¼ @ 150 PSI	1
170.111	HEX NIPPLE ¼"	2
170.410	BALL VALVE ¼"	1



Model: **GD4**

Part #: **280.145**

Accessories for **D-4** |

Part #	Description	Qty
220.110	PRESSURE GAUGES	2
130.113	SAFETY VALVE ½ @ 150 PSI	1
170.113	HEX NIPPLE ½"	1
170.111	HEX NIPPLE ¼ "	1
170.311	T ½"	1
170.210	REDUCING BUSHING ¼ X ½	1
170.410	BALL VALVE ¼"	1



D Series | PARTS BREAKDOWN

REPLACEMENT CARTRIDGE

Model: **ED-1** Part #: **280.210**

Replacement cartridge
for **D-1**

Replacement Cartridge Includes		
Part #	Description	Qty
280.310	COD1 – COALESCER ELEMENT	2
280.301	BD1 – DESSICANT BAG	1
280.423	ORD1 – O’RING FOR D1	1
280.430	FELTD1 – FELT PAD	2

Model: **ED-2** Part #: **280.220**

Replacement cartridge
for **D-2**

Replacement Cartridge Includes		
Part #	Description	Qty
280.311	COD2-3 – COALESCER ELEMENT	2
280.302	BD2 – DESSICANT BAG	1
280.424	ORD2-3 – O’RING FOR D2-D3	1
280.431	FELTD2-3 – FELT PAD	2

Model: **ED-3** Part #: **280.230**

Replacement cartridge
for **D-3**

Replacement Cartridge Includes		
Part #	Description	Qty
280.311	COD2-3 – COALESCER ELEMENT	2
280.303	BD3 – DESSICANT BAG	1
280.424	ORD2-3 – O’RING FOR D2-D3	2
280.431	FELTD2-3 – FELT PAD	2

Model: **ED-4** Part #: **280.240**

Replacement cartridge
for **D-4**

Replacement Cartridge Includes		
Part #	Description	Qty
280.312	COD-4 – COALESCER ELEMENT	2
280.304	BD4 – DESSICANT BAG	1
280.425	ORD4 – O’RING FOR D4	2
280.432	FELTD4 – FELT PAD	2



SUPER-DRY SOLUTIONS INCLUDES:

- D Series** ● | Compressed Air Dryers
- ATD Series** ● | Air Tool Dryers
- FC/FD Series** ● | Mini Filters and Desiccant Dryers
- FSD Series** ● | Water Separators
- FSD Series** ● | Compressed Air Filters
- TD Series** ● | Automatic Timer Drains



2104 Francis-Hughes, Laval (Qc) Canada H7S 1N7
Tel.: 1-888-828-1122 | Fax: 1-888-828-1133
info@super-dry.com
www.super-dry.com